

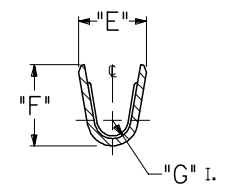
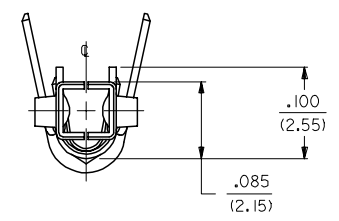
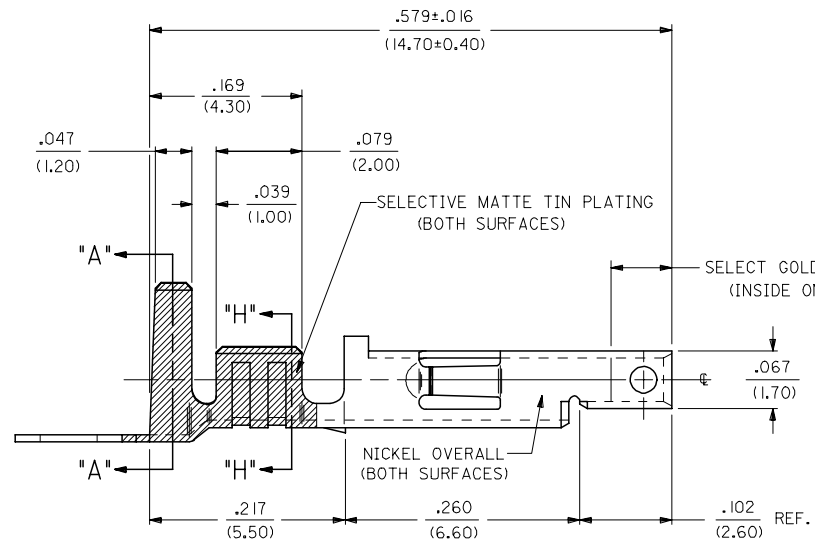
- NOTES:**
1. PART DESIGNED IN METRIC.
 2. TERMINAL FOR USE WITH 5557 SERIES HOUSINGS.
 3. MATES WITH 5558, 5566 AND 5569 SERIES CONNECTORS.
 4. REFER TO DWG. NO. CS-5556*/5558* FOR CRIMP SPECIFICATIONS.
 5. PRODUCT SPECIFICATION AND PROCESSING PARAMETERS SEE: PS-5556-001, PS-5556-002, PS-5556-003

MATERIAL:

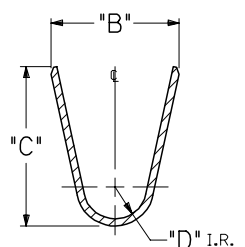
- A. CDA 260 BRASS, .0080±.0004/(0.203±0.010) THICK.
- B. CDA 510 PHOS. BRONZE .0080±.0004/(0.203±0.010) THICK.

PLATING:

- *A. SELECTIVE GOLD PLATE .000030/(0.00076) MIN., AND SELECTIVE MATTE TIN .000100/(0.00254) OVER .000050/(0.00127) NICKEL OVERALL.
- *B. SELECTIVE GOLD PLATE .000015/(0.00038) MIN., AND SELECTIVE MATTE TIN .000100/(0.00254) OVER .000050/(0.00127) NICKEL OVERALL.
- *C. SELECTIVE GOLD PLATE .000050/(0.00127) MIN., AND SELECTIVE MATTE TIN .000100/(0.00254) OVER .000050/(0.00127) NICKEL OVERALL.
- *THE PRIMARY SHIPPING CARTON WILL BE LABELED "COMPLIANT TO RoHS DIRECTIVE 2002/95/EC AND ELV ANNEX II OF DIRECTIVE 2000/53/EC." CARTONS WITHOUT THIS LABEL MAY CONTAIN PRODUCT WITH TIN-LEAD PLATING.



SECT. "H-H"



SECT. "A-A"

REMOVE 28-30 GAGE EC NO: UCP2006-1559 DRAWNDONE 2006/01/11 CHKD: GPOLGAR 2006/01/12 APPR: ICOMERCI 2006/01/16	QUALITY SYMBOLS =0 =0 R.	GENERAL TOLERANCES (UNLESS SPECIFIED)		DIMENSION STYLE IN/MM		SCALE 10:1	DESIGN UNITS METRIC	THIRD ANGLE PROJECTION			
		4 PLACES ± --- ± ---	mm INCH	DRAWN BY GEP	DATE 5/17/90	TITLE TERMINAL, MINI-FIT JR., FEMAE CRIMP, SELECT GOLD BLANK PLATE FORM					
		3 PLACES ± --- ± .010		CHECKED BY RJF	DATE 5/17/90	Molex MOLEX INCORPORATED					
		2 PLACES ± 0.25 ± .014		APPROVED BY RAS	DATE 5/17/90	MATERIAL NO. SEE SHT. 2	DOCUMENT NO. SD-5556-GSP*	SHEET NO. 1 OF 2			
1 PLACE ± 0.36 ± ---		ANGULAR ±1/2°		THIS DRAWING CONTAINS INFORMATION THAT IS PROPRIETARY TO MOLEX INCORPORATED AND SHOULD NOT BE USED WITHOUT WRITTEN PERMISSION							

2	F1
1	F1
SHT.	REV.

13	12	11	10	9	8	7	6	5	5556	4	3	2	1		
PART NO.	ENG. NO.	MAT'L.	PLATE	WIRE GAGE	QUANTITY PER REEL	DIM. "B"	DIM. "C"	DIM. "D"	DIM. "E"	DIM. "F"	DIM. "G"				
39-00-0163	5556-GSP	A	A	18-24 GA.	4,000	.142±.012 (3.60±0.30)	.177±.016 (4.50±0.40)	.035 (0.90)	.075±.012 (1.90±0.30)	.091±.016 (2.40±0.40)	.020 (0.50)				
39-00-0164	5556-GSPL														
39-00-0165	5556-GS2P					22-28 GA.	6,000	.091±.016 (2.30±0.30)	.091±.016 (2.30±0.40)	.024 (0.60)	.071±.012 (1.80±0.30)	.065±.016 (1.65±0.40)	.016 (0.40)		
39-00-0166	5556-GS2PL														
39-00-0167	5556-GS3P					16 GA.	4,000	.142±.012 (3.60±0.30)	.177±.016 (4.50±0.40)	.035 (0.90)	.091±.012 (2.30±0.30)	.106±.016 (2.70±0.40)	.024 (0.60)		
39-00-0168	5556-GS3PL														
NOT TOOLED	5556-GS10P					14 GA.	4,000	.142±.012 (3.60±0.30)	.177±.016 (4.50±0.40)	.035 (0.90)	.091±.012 (2.30±0.30)	.114±.016 (2.90±0.40)	.024 (0.60)		
NOT TOOLED	5556-GS10PL														
39-00-0169	5556-GS4P					18-24 GA.	4,000	.142±.012 (3.60±0.30)	.177±.016 (4.50±0.40)	.035 (0.90)	.075±.012 (1.90±0.30)	.091±.016 (2.40±0.40)	.020 (0.50)		
39-00-0170	5556-GS4PL														
39-00-0171	5556-GS5P			22-28 GA.	6,000	.091±.012 (2.30±0.30)	.091±.016 (2.30±0.40)	.024 (0.60)	.071±.012 (1.80±0.30)	.065±.016 (1.65±0.40)	.016 (0.40)				
39-00-0172	5556-GS5PL														
39-00-0173	5556-GS6P	A	B	16 GA.	4,000	.142±.012 (3.60±0.30)	.177±.016 (4.50±0.40)	.035 (0.90)	.091±.012 (2.30±0.30)	.106±.016 (2.70±0.40)	.024 (0.60)				
39-00-0174	5556-GS6PL														
NOT TOOLED	5556-GS11P					14 GA.	4,000	.142±.012 (3.60±0.30)	.177±.016 (4.50±0.40)	.035 (0.90)	.091±.012 (2.30±0.30)	.114±.016 (2.90±0.40)	.024 (0.60)		
NOT TOOLED	5556-GS11PL														
39-00-0175	5556-GS7P			18-24 GA.	4,000	.142±.012 (3.60±0.30)	.177±.016 (4.50±0.40)	.035 (0.90)	.075±.012 (1.90±0.30)	.091±.016 (2.40±0.40)	.020 (0.50)				
39-00-0176	5556-GS7PL														
39-00-0177	5556-GS8P			22-28 GA.	6,000	.091±.012 (2.30±0.30)	.091±.016 (2.30±0.40)	.024 (0.60)	.071±.012 (1.80±0.30)	.065±.016 (1.65±0.40)	.016 (0.40)				
39-00-0178	5556-GS8PL														
39-00-0179	5556-GS9P	A	C	16 GA.	4,000	.142±.012 (3.60±0.30)	.177±.016 (4.50±0.40)	.035 (0.90)	.091±.012 (2.30±0.30)	.106±.016 (2.70±0.40)	.024 (0.60)				
39-00-0180	5556-GS9PL														
NOT TOOLED	5556-GS12P					14 GA.	4,000	.142±.012 (3.60±0.30)	.177±.016 (4.50±0.40)	.035 (0.90)	.091±.012 (2.30±0.30)	.114±.016 (2.90±0.40)	.024 (0.60)		
NOT TOOLED	5556-GS12PL														
39-00-0181	5556-PBGS			18-24 GA.	4,000	.142±.012 (3.60±0.30)	.177±.016 (4.50±0.40)	.035 (0.90)	.075±.012 (1.90±0.30)	.091±.016 (2.40±0.40)	.020 (0.50)				
39-00-0182	5556-PBGSPL														
39-00-0183	5556-PBGS2P			22-28 GA.	6,000	.091±.016 (2.30±0.30)	.091±.016 (2.30±0.40)	.024 (0.60)	.071±.012 (1.80±0.30)	.065±.016 (1.65±0.40)	.016 (0.40)				
39-00-0184	5556-PBGS2PL														
39-00-0185	5556-PBGS3P	B	A	16 GA.	4,000	.142±.012 (3.60±0.30)	.177±.016 (4.50±0.40)	.035 (0.90)	.091±.012 (2.30±0.30)	.106±.016 (2.70±0.40)	.024 (0.60)				
39-00-0186	5556-PBGS3PL														
NOT TOOLED	5556-PBGS10P					14 GA.	4,000	.142±.012 (3.60±0.30)	.177±.016 (4.50±0.40)	.035 (0.90)	.091±.012 (2.30±0.30)	.114±.016 (2.90±0.40)	.024 (0.60)		
NOT TOOLED	5556-PBGS10PL														
39-00-0194	5556-PBGS4P			18-24 GA.	4,000	.142±.012 (3.60±0.30)	.177±.016 (4.50±0.40)	.035 (0.90)	.075±.012 (1.90±0.30)	.091±.016 (2.40±0.40)	.020 (0.50)				
39-00-0195	5556-PBGS4PL														
39-00-0196	5556-PBGS5P			22-28 GA.	6,000	.091±.012 (2.30±0.30)	.091±.016 (2.30±0.40)	.024 (0.60)	.071±.012 (1.80±0.30)	.065±.016 (1.65±0.40)	.016 (0.40)				
39-00-0197	5556-PBGS5PL														
39-00-0198	5556-PBGS6P	B	B	16 GA.	4,000	.142±.012 (3.60±0.30)	.177±.016 (4.50±0.40)	.035 (0.90)	.091±.012 (2.30±0.30)	.106±.016 (2.70±0.40)	.024 (0.60)				
39-00-0199	5556-PBGS6PL														
NOT TOOLED	5556-PBGS11P					14 GA.	4,000	.142±.012 (3.60±0.30)	.177±.016 (4.50±0.40)	.035 (0.90)	.091±.012 (2.30±0.30)	.114±.016 (2.90±0.40)	.024 (0.60)		
NOT TOOLED	5556-PBGS11PL														
39-00-0200	5556-PBGS7P			18-24 GA.	4,000	.142±.012 (3.60±0.30)	.177±.016 (4.50±0.40)	.035 (0.90)	.075±.012 (1.90±0.30)	.091±.016 (2.40±0.40)	.020 (0.50)				
39-00-0201	5556-PBGS7PL														
39-00-0202	5556-PBGS8P			22-28 GA.	6,000	.091±.012 (2.30±0.30)	.091±.016 (2.30±0.40)	.024 (0.60)	.071±.012 (1.80±0.30)	.065±.016 (1.65±0.40)	.016 (0.40)				
39-00-0203	5556-PBGS8PL														
39-00-0204	5556-PBGS9P	B	C	16 GA.	4,000	.142±.012 (3.60±0.30)	.177±.016 (4.50±0.40)	.035 (0.90)	.091±.012 (2.30±0.30)	.106±.016 (2.70±0.40)	.024 (0.60)				
39-00-0205	5556-PBGS9PL														
NOT TOOLED	5556-PBGS12P					14 GA.	4,000	.142±.012 (3.60±0.30)	.177±.016 (4.50±0.40)	.035 (0.90)	.091±.012 (2.30±0.30)	.114±.016 (2.90±0.40)	.024 (0.60)		
NOT TOOLED	5556-PBGS12PL														

LEGEND:
 5556-***GS*P*
 BASE NO. _____
 MATERIAL _____
 BLANK= BRASS
 PB= PHOS. BRONZE
 GOLD, SELECT _____
 PLATING & CRIMP SIZE COMB. _____
 BLANK THRU I5 _____
 BLANK-PLATE-FORM VERSION _____
 CHAIN OR LOOSE _____
 BLANK= CHAIN _____
 L= LOOSE _____

SEE SHEET 1 EC NO: UCP2006-1559 DRAWNDUNNE 2006/01/12 CHKD: GPOL GAR 2006/01/12 APPR: ICOMERC 2006/01/16 DESCRIPTION REV	QUALITY SYMBOLS	GENERAL TOLERANCES (UNLESS SPECIFIED)	DIMENSION STYLE	SCALE	DESIGN UNITS	THIRD ANGLE PROJECTION
	$\nabla=0$ $\nabla=0$	mm INCH	IN/MM	---	METRIC	
		4 PLACES ± --- ± --- 3 PLACES ± --- ± --- 2 PLACES ± --- ± --- 1 PLACE ± --- ± ---	DRAWN BY DATE GEP 5/17/90 CHECKED BY DATE RJF 5/17/90 APPROVED BY DATE RAS 5/17/90	TITLE		
		ANGULAR ±1/2°	MATERIAL NO.	TERMINAL, MINI-FIT JR., FEMALE, CRIMP, SELECT GOLD BLANK-PLATE-FORM MOLEX INCORPORATED		SHEET NO.
	DRAFT WHERE APPLICABLE MUST REMAIN WITHIN DIMENSIONS	SEE CHART	SD-5556-GSP*		2 2	
		THIS DRAWING CONTAINS INFORMATION THAT IS PROPRIETARY TO MOLEX INCORPORATED AND SHOULD NOT BE USED WITHOUT WRITTEN PERMISSION				